



# LESA I SYSTEM

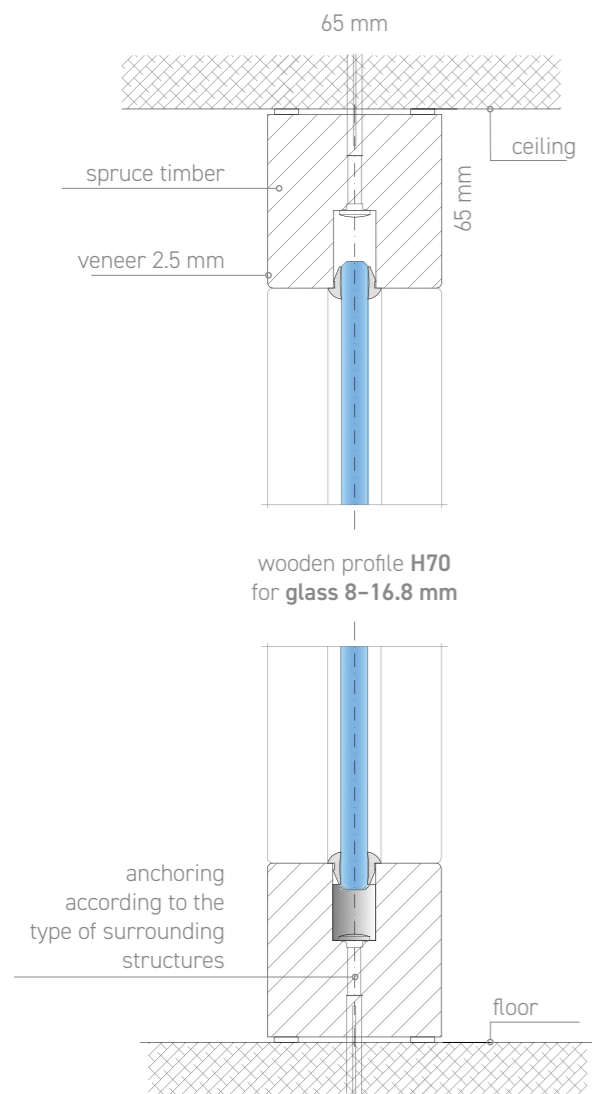
WOODEN PARTITION  
SINGLE GLAZING

The LESA I interior partition system is **all-wood**, where the core consists of a glued spruce timber, which is then veneered with a pattern of your choice.

Reversible doors are the ideal accessory for maintaining a clear line of sight.

“With the LESA wooden partition system, we bring a piece of living nature to our offices.”

Orraine J. Williams | Head of R&D LIKO-S



## TECHNICAL SPECIFICATIONS

### BASIC INFORMATION:

Use:	non-bearing interior partition walls
Module connection:	frameless - glued with transparent tape frame - wooden H profile
Connection to the ceiling:	into the existing structure ceiling or suspended ceiling
Structure:	wooden perimeter veneered profiles

### AIRBORNE SOUND INSULATION $R_w$ :

Glass partition:	31, 35, 36, 38, and 39 dB according to the type of glazing used
Door leaf:	All-glass   32 dB Wooden   27, 32, 35, 37 dB

### STANDARD PARTITION DIMENSIONS:

Partition thickness:	65 mm
Glass thickness:	8, 10, 12, and 16.8 mm
Module width:	1,000 mm
Partition height:	3,000 mm (max. 3,500 mm)

### STANDARD DOOR DIMENSIONS:

Clearance (passage):	800 x 2,100 mm
Door frame width:	1,020 mm
Max. door frame height:	3,000 mm

### DOOR:

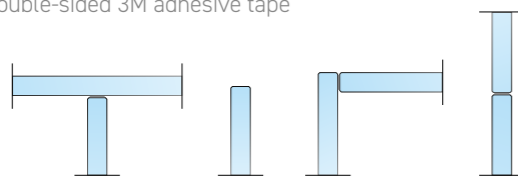
Door leaf types:	solid wood / glazed   all-glass
Door frame types:	wooden
Standard hinges:	Just 3D, Just 3D Glass, 3D Tectus, 2D Tectus Glass

### ANCHORING:

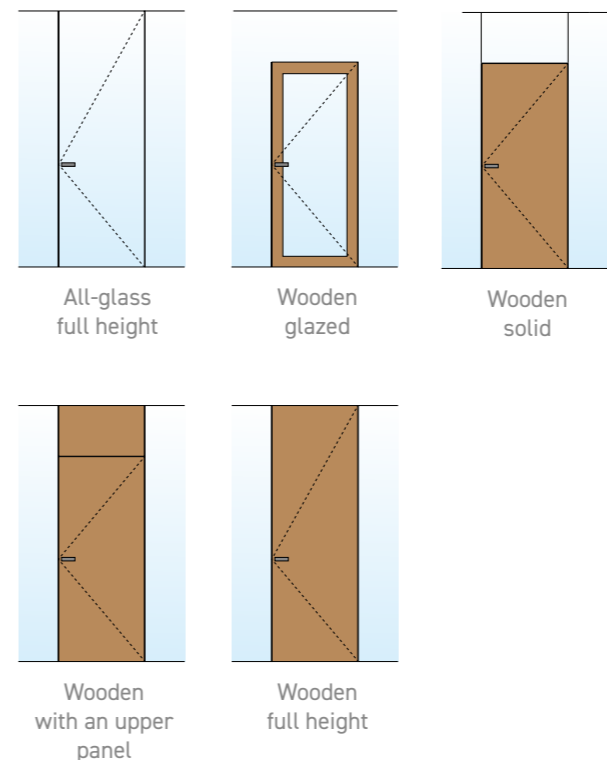
Concrete floor:	dowel pins 6 x 35
Double/wooden floor:	TN 3.5 x 35, FN 4.2 x 45
Lining from SDK:	FN 4.2 x 45, Turbo dowel
Concrete/masonry lining:	dowel pin 6 x 35
Suspended ceiling solid SDK/cassette:	TN 3.5 x 35, FN 4.2 x 45
Concrete/ceramic ceiling:	dowel pin 6 x 35

### CONNECTION AND FINISHING:

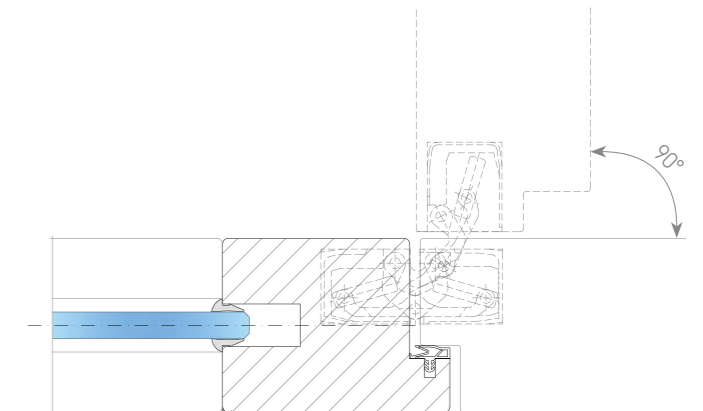
Connection  
Double-sided 3M adhesive tape



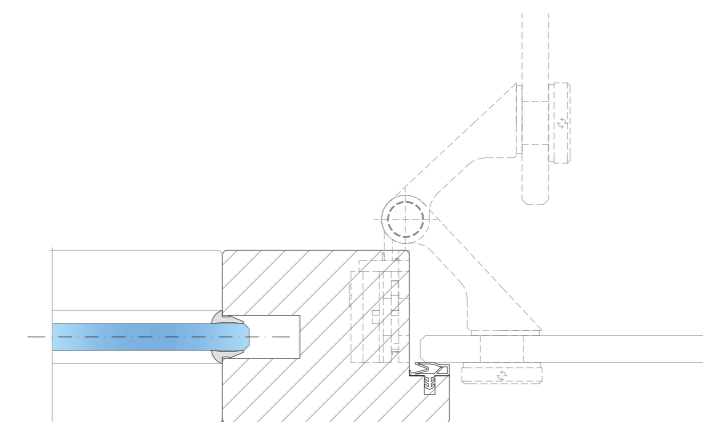
## DOOR LEAF TYPES



## DOOR FRAME DETAILS

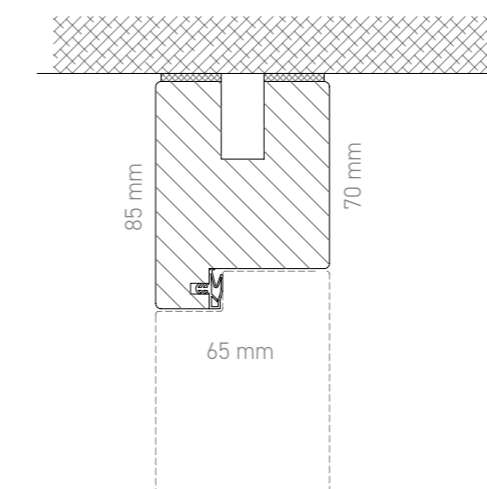


Door frame H80 | wooden door | Tectus TEG 310 | up to 37 dB

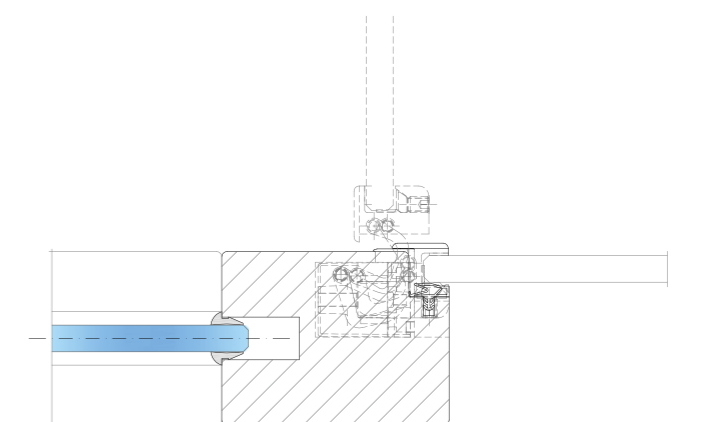


Door frame H80 | all-glass | Just 3D | up to 32 dB

## VERTICAL SECTION



Door frame H80 | door frame head at the ceiling



Door frame H81 | all-glass door | Tectus TE Glass | up to 32 dB



### Headquarters:

LIKO-S, a. s.  
U Splavu 1419  
684 01 Slavkov u Brna  
Czech Republic

+420 5 44 22 11 11 | [info@liko-s.com](mailto:info@liko-s.com)

[www.liko-partitions.com](http://www.liko-partitions.com)

Become one of our fans and be part of the story...



FACEBOOK



YOUTUBE



LINKEDIN